
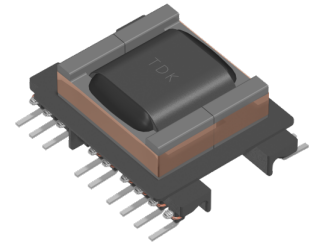


IGBT/FET用变压器
VGT22EPC-200S6A12

RoHS Reach Halogen Free Pb Free

用途	车载
功能	回扫变压器(集中)
系列	VGT
状态	 量产体制
品牌	TDK



尺寸

长度(L)	33.00mm ±0.30mm
宽度(W)	26.80mm ±1.00mm
厚度(T)	13.70mm Max.

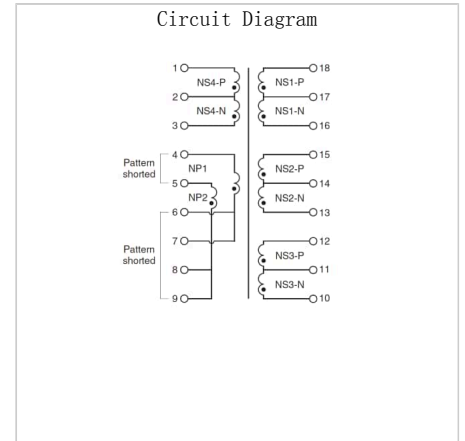
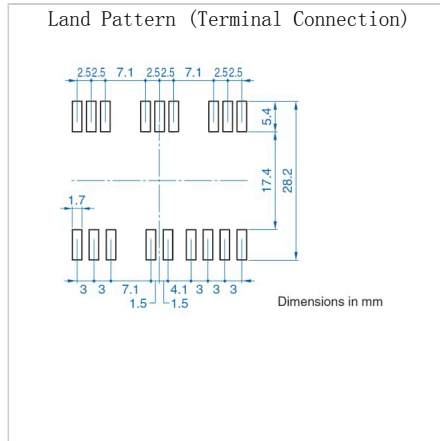
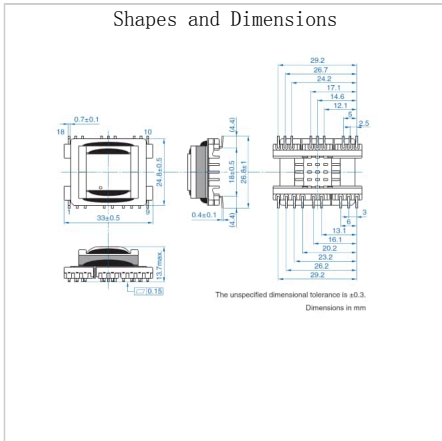
电气特性

卷数比	1:1.2:0.7:1.2:0.7:1.2:0.7:1.2:0.7
输出的数量	6
电感	2.5 μH ±15%
漏电感 [Max.]	300nH
耐电压 [Pri-Sec]	2.6kVrms 1min. or 3.2kVrms 1sec.
耐电压 [Coil-Core]	1.3kVrms 1min. or 1.6kVrms 1sec.

其他

使用温度范围	-40~130° C
AEC-Q200	YES
包装形式	塑封编带 (330mm卷筒、带宽 44mm)
包装个数	60pcs
重量	10.8g

Associated Images



! Images are for reference only and show exemplary products.
 ! This PDF document was created based on the data listed on the TDK Corporation website.
 ! All specifications are subject to change without notice.